

# TECHNICAL SPECIFICATION

## STEPHAN Universal Machine UM 24



picture: STEPHAN UM 24

### Advantages:

- ✓ Flexible and multifunctional
- ✓ Short batch times
- ✓ Economic processing
- ✓ Operator friendly
- ✓ Homogenous mixing
- ✓ Efficient cutting
- ✓ Stable emulsions
- ✓ Configurable for many different applications

### Typical Applications:

- ✓ Dressings, dips, sauces
- ✓ Mayonnaise
- ✓ Puréed food
- ✓ Liver paté
- ✓ Pesto, hommos
- ✓ Fresh cheese preparations
- ✓ Butter preparations
- ✓ Kitchen and catering applications

### Standard Execution:

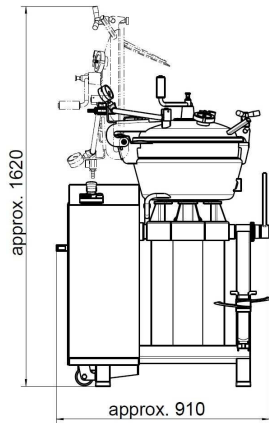
- ✓ Frequency controlled main drive, 300 – 3000 rpm
- ✓ Touch keyboard
- ✓ Manually operated mixing baffle
- ✓ Manually operated bowl titling

### Options:

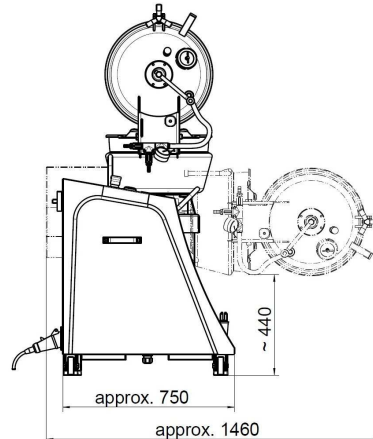
- ✓ Vacuum pump
- ✓ Electrical heating device
- ✓ Double jacket water
- ✓ Sight glass and lamp

# STEPHAN Universal Machine UM 24

dimensions UM 24:



overall height with lid open: 1620 mm



### Machine Data:

Bowl content, approx.

Batch size, max.

Net weight, approx.

Max. operating temperature - bowl

Max. operating pressure - bowl

Max. operating temperature - double jacket

Max. operating pressure - double jacket

**Material:** - product side  
- non-product side

**Shaft seals:** - main motor  
- gear motor

### Energy requirement:

Operating voltage / protection

Operating voltage / protection

**Drives:** - main motor  
- vacuum pump

**Water:** - water supply pressure, max.  
- water supply - vacuum pump, approx.  
- water supply - double jacket

|        |  |                  |
|--------|--|------------------|
| (l)    |  | 30               |
| (l)    |  | 18               |
| kg     |  | 230              |
| °C     |  | 95               |
| bar g  |  | 0.0              |
| °C     |  | 95               |
| bar g  |  | 0.0              |
|        |  | 1.4301(AISI 304) |
|        |  | 1.4301(AISI 304) |
|        |  | sealing rings    |
|        |  | sealing rings    |
| V/Hz/A |  | 400/50/32, slow  |
| V/Hz/A |  | 220/60/60 slow   |
| kW     |  | 7.5              |
| kW     |  | 1.1              |
| bar g  |  | 1                |
| l/h    |  | 240              |
| l/h    |  | 750              |